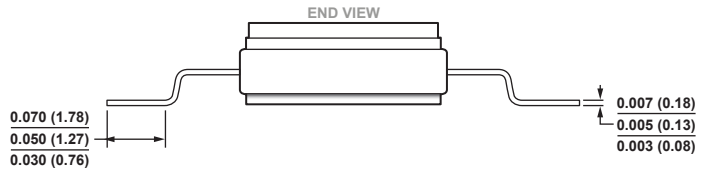
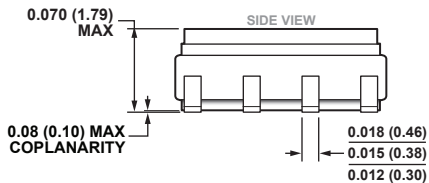
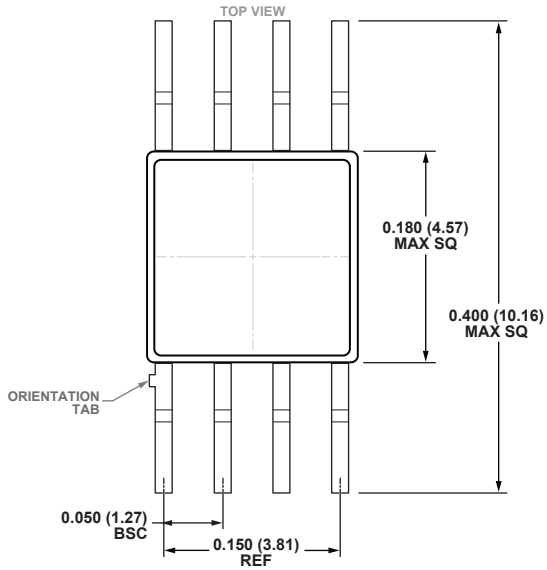


**8-Lead Ceramic DIP, Glass Seal, with Gullwing Leads [CERPAK]
(QC-8-1)**

Dimensions shown in inches and (millimeters)



**CONTROLLING DIMENSIONS ARE IN INCHES; MILLIMETER DIMENSIONS
(IN PARENTHESES) ARE ROUNDED-OFF INCH EQUIVALENTS FOR
REFERENCE ONLY AND ARE NOT APPROPRIATE FOR USE IN DESIGN.**